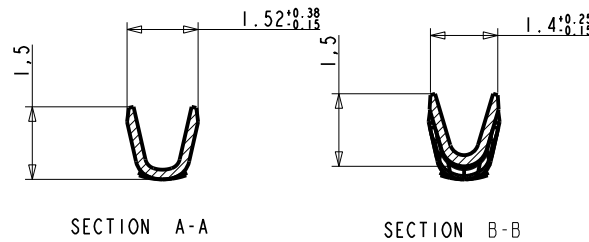
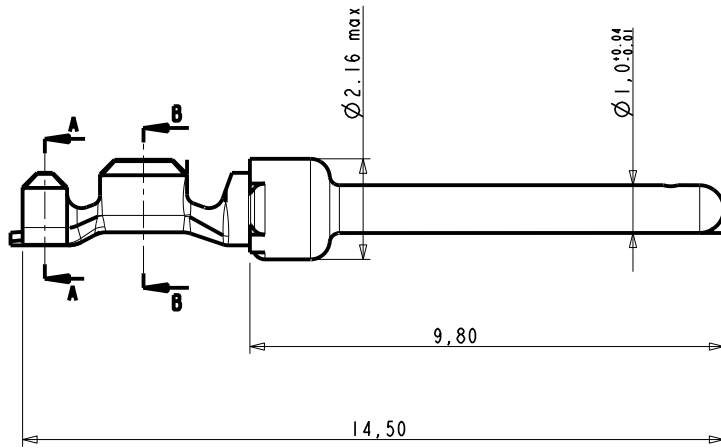


NOTES:

- 1-Material: Phosphor bronze, thickness 0.20  
socket : Phosphor bronze
- 2-Finish on contact area:  
- gold over nickel see table  
finish on termination: bright tin lead over nickel
- 3-Wire range: 20 to 28 AWG
- 4-Max outer dia of wire insulator:  
- 1.73 mm for contact #20-24  
- 1.02 mm for contact #24-28
- 5-Current carrying capacity per contact:  
5. Amps max when crimped to #20 AWG  
5 Amps max when crimped to #22 AWG  
3 Amps max when crimped to #24 AWG  
2 Amps max when crimped to #26 AWG  
1 Amps max when crimped to #28 AWG
- 6-After 5 insertions into connector,  
contact retention must be 5 pounds axial load min
- 7-When contact is crimped to 20 AWG, the insulation support crimped height must be 1.78 mm max to ensure a proper insertion into housing
- 6-Packaging: Reel



CROSS SECTIONS FOR CT #24-28

CORE RANGE	
86563003065LF	0.76µ Au
86563003065	0.76µ Au
86563003064LF	flash Au
86563003064	flash Au
PART NUMBER	Plating



Copyright FCI.

NOTE : ROHS INFORMATIONS  
The LF products meet European union directives and other country regulations as described in GS-22-008  
Terminations plating spec : 2um Nickel min + 2um Sn min  
Packaging Spec : see GS-14-920

rev	ecn no	dr	date
D	LS06-196	MPE	27/11/2006
E	LS08-0127	MPE	13/05/2008
-	-	-	-
-	-	-	-
-	-	-	-

www.fciconnect.com		surface - <input checked="" type="checkbox"/> tolerance std ISO 1302	ISO 406	ISO 1101	projection	mm
TOLERANCES UNLESS OTHERWISE SPECIFIED						
Dr	-	18/04/03	ANGULAR	LINEAR	size A3	Scale 5/1
Eng	-	-	0°	±2°	0.X	±0.3
Chr	-	-	0°	±2°	0.XX	±0.1
Appr	-	-	0°	±2°	0.XXX	±0.05
Product family					ECN	LS08-0127
Product family					Spec ref	-
FCI title CRIMP PIN					dwg no	C01-8656-0425
#Wire 24-28 Ø1.02					Rev.	E
catalog no					sheet 1 of 1	

REV I - 2006-04-17